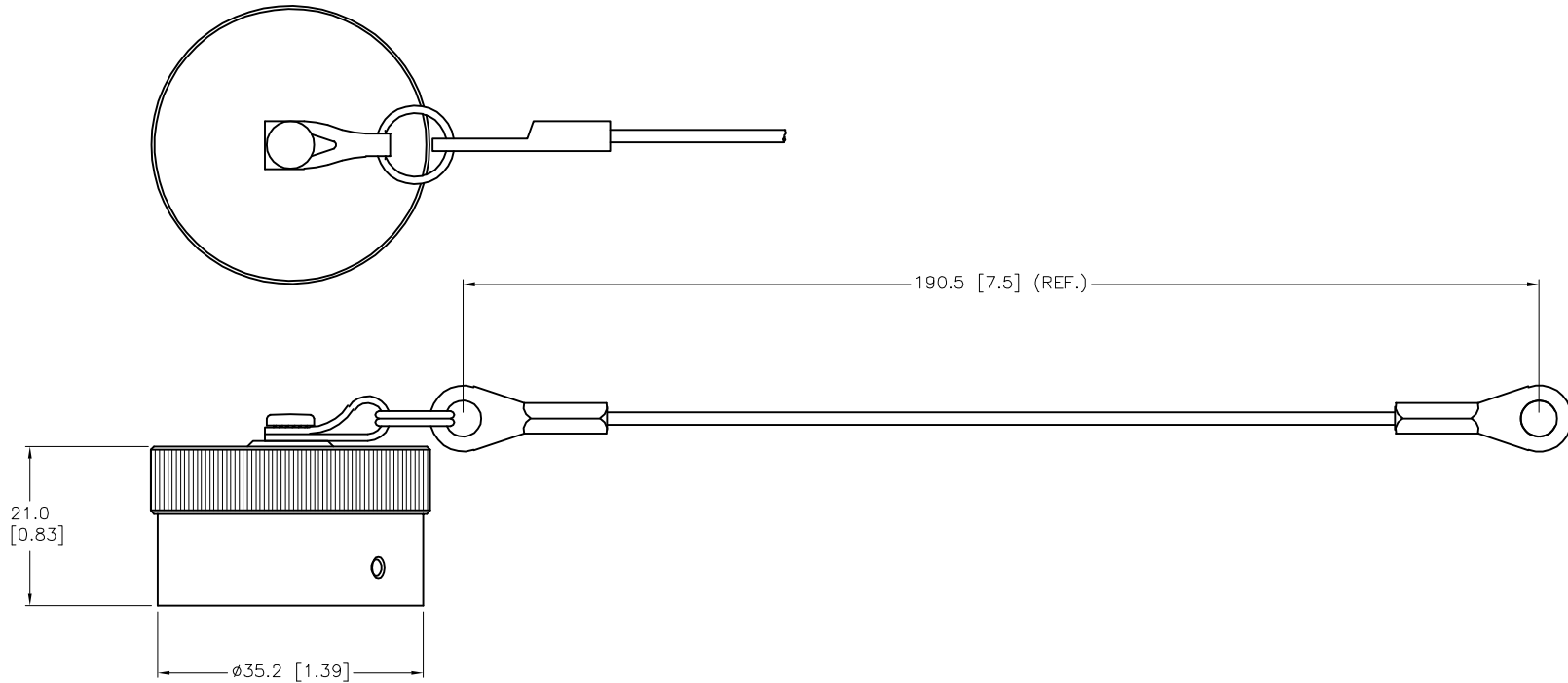


SPECIFICATIONS

CAP MATERIAL/FINISH	ALUMINUM ALLOY/OLIVE DRAB PLATING
CABLE AND EYELET MATERIAL	SST



SOURCE DRAWING - FOR REFERENCE ONLY

NOTES:

1. ALL DIMENSIONS ARE REFERENCE.

RELATED DOCUMENTS 1. 2. 3. 4.	3RD ANGLE PROJECTION 	THIS DRAWING IS CONFIDENTIAL AND THE PROPERTY OF TURCK INC. USE OF THIS DOCUMENT WITHOUT WRITTEN PERMISSION IS PROHIBITED.		3000 CAMPUS DRIVE MINNEAPOLIS, MN 55441 1-800-544-7769 (763) 553-7300 (763) 553-0708 fax www.turck.us	
	MATERIAL  SEE SPECIFICATIONS	DRFT RDS APVD J.B.	DATE 01/15/14 SCALE 1=1.0	DESCRIPTION  GT00-18-CC	
FINISH  SEE SPECIFICATIONS	UNIT OF MEASUREMENT <b>MILLIMETER [ INCH ]</b>	CONTACT TURCK FOR MORE INFORMATION		IDENTIFICATION NO. U-59655 (SOURCE)	REV B
DO NOT SCALE THIS DRAWING		FILE: U-59655		SHEET 1 OF 1	

B	UPDATED DRAWING	AS	05/31/23	500000008308
REV	DESCRIPTION	BY	DATE	ECO NO.